

Flush plate

Visign for Style 14



reddot design award
winner 2009

viega



configuration



material scope

position	description	article
1	Flush plate Visign for Style 14	654 726



Flush plate

Visign for Style 14

- for 2H concealed cistern, 2L concealed cistern, 2C concealed cistern, Standard 2S concealed cistern (model 8180.26), 1F (8 cm) concealed cistern
- plastic
- manual flush actuation from front or top, dual flush technology

Components

fixing frame, fixing material

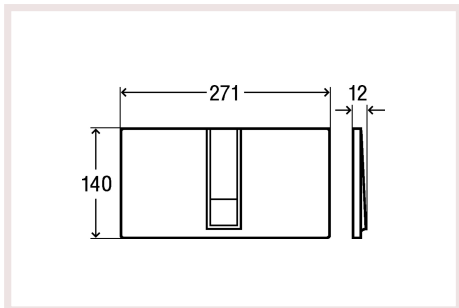
Model 8334.1



article 654 726

cover plate plastic stainless steel colours

actuator plastic stainless steel colours





Imprint

Viega GmbH & Co. KG
Viega Platz 1
57439 Attendorn
Germany

Phone: +49/2722/61-0
Fax: +49/2722/61-1177

VAT ID no. DE 126 180 387

Commercial register: Court of Siegen HRA 7404

General partner:
Franz Viegener II Beteiligungs GmbH

General E-mail: info@viega.de

Webmaster: webmaster@viega.de

Press department: presse@viega.de

This website is maintained by
Viega GmbH & Co. KG, Attendorn.