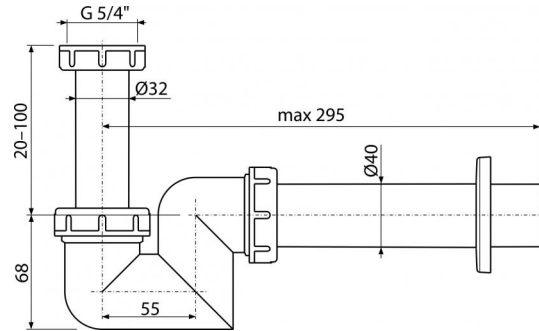


# A45F-DN40

Wash-basin and bidet trap DN40 plastic



### Application

For wash-basin and bidet

### Features

- Material: polypropylene
- Connection to waste pipe Ø40 mm

### Scope of supply

- Nut to connect wash-basin and bidet waste 5/4"
- Plastic rosette
- Waste and trap body

### Order number, Logistic information

Code	EAN		Weight (kus   packing   palett)	Dimensions (piece   packing)	Quantity (packing   palett)
A45F-DN40	8595580502423	40 mm	0,2256   5,6400   177,9200 kg	220×170×80   590×240×390 mm	25   700 pcs

### Guarantee

2/3 years

### Customs code

39229000

### Norms

EN 274