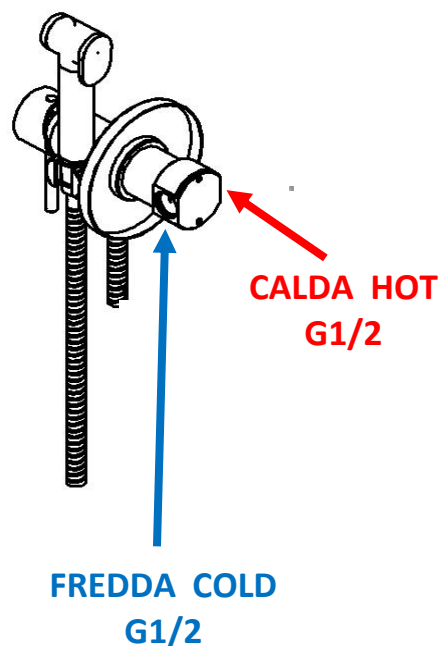
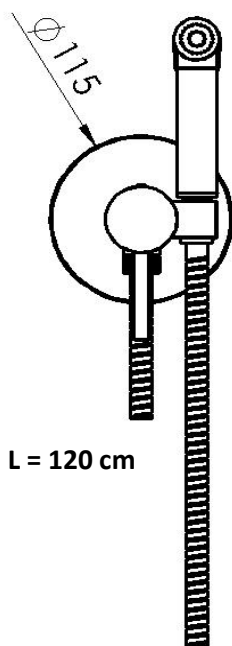
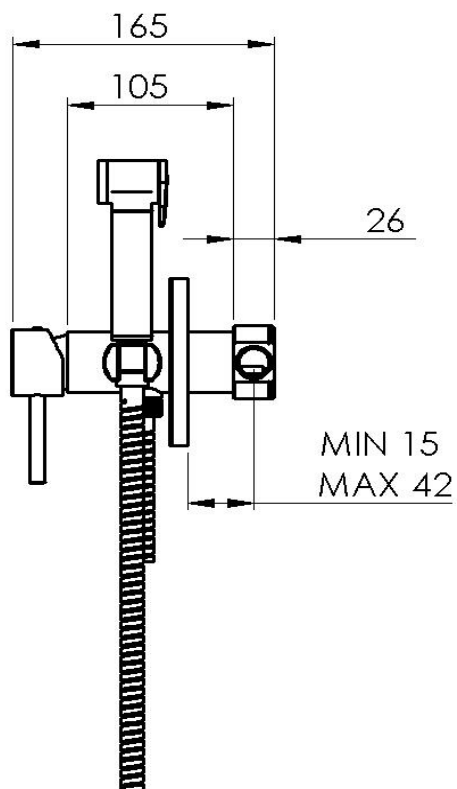


ART. COD.

**X65W**



**MATERIALI / MATERIALS**

OTTONE CROMATO / CHROME PLATED BRASS  
ACCIAIO INOX / STAINLESS STEEL

**CROMATURA / CHROME PLATING**

UNI EN 248