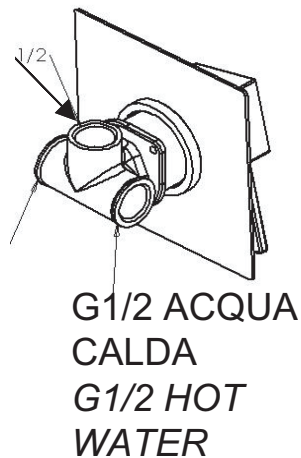
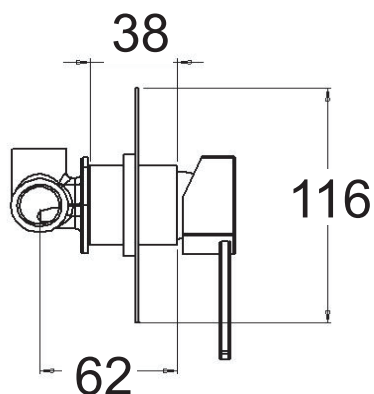


G1/2 USCITA
G1/2 OUTLET

G1/2 ACQUA
FREDDA
G1/2 COLD
WATER



G1/2 ACQUA
CALDA
G1/2 HOT
WATER



MATERIALI / MATERIALS

OTTONE CROMATO / CHROME PLATED BRASS

CROMATURA / CHROME PLATING

UNI EN 248