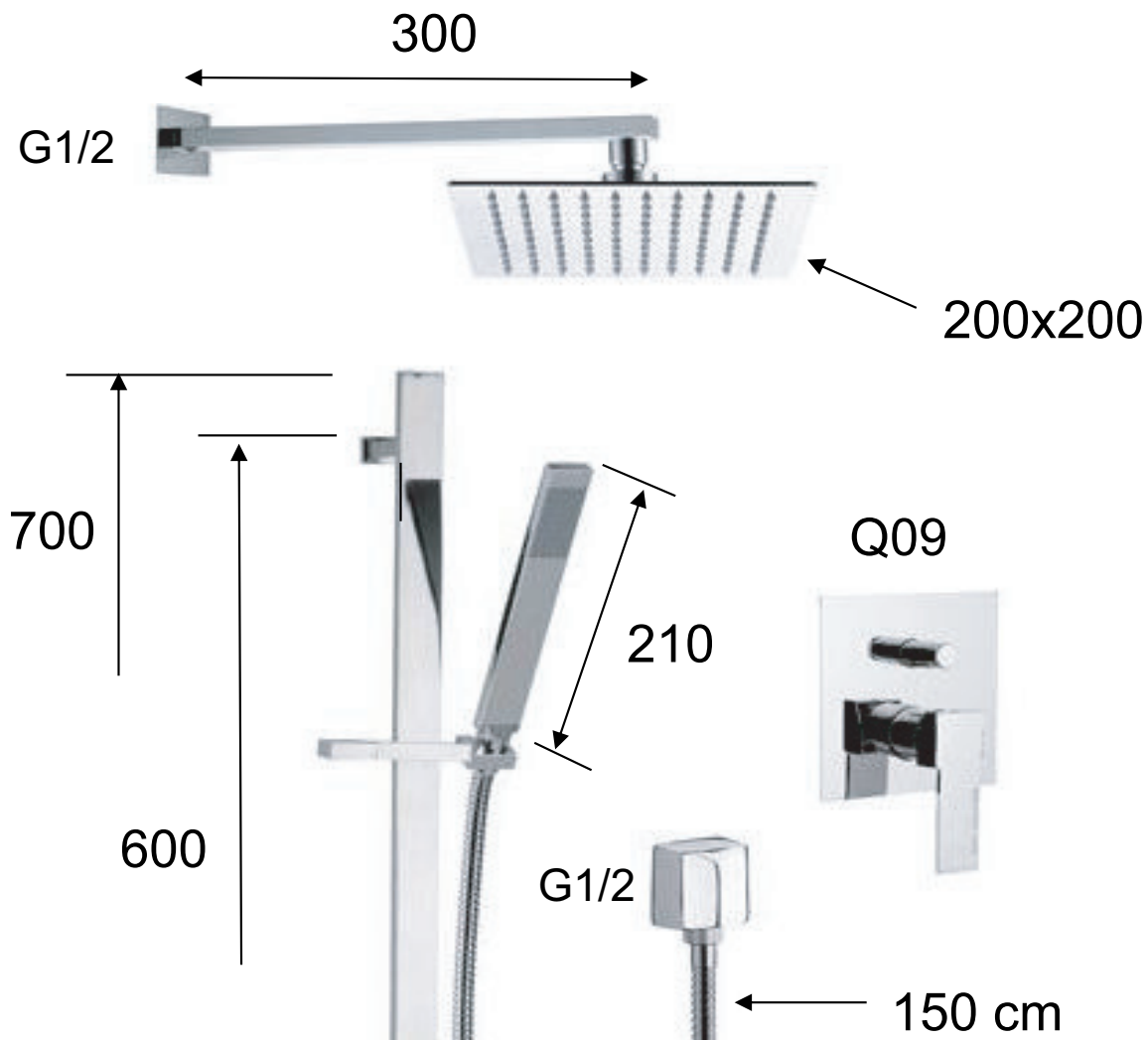


ART. COD.

**Q 09 S01 UFS20**



**MATERIALI / MATERIALS**

**OTTONE CROMATO / CHROME PLATED BRASS**

**CROMATURA / CHROME PLATING**

**UNI EN 248**