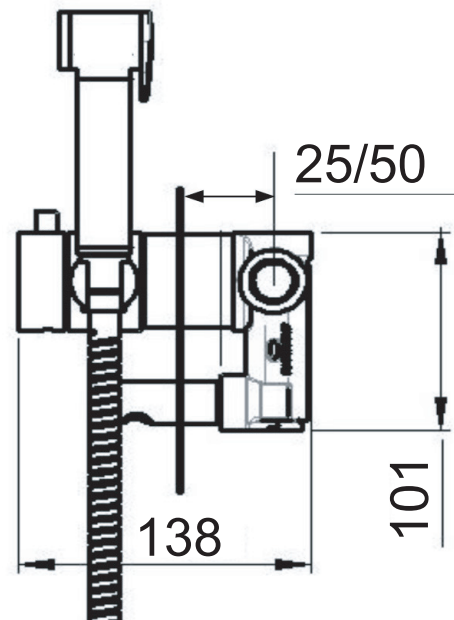
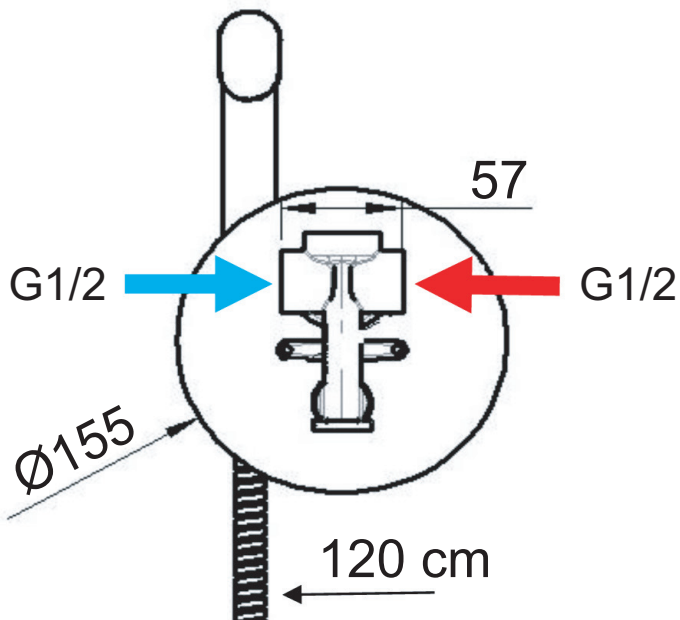
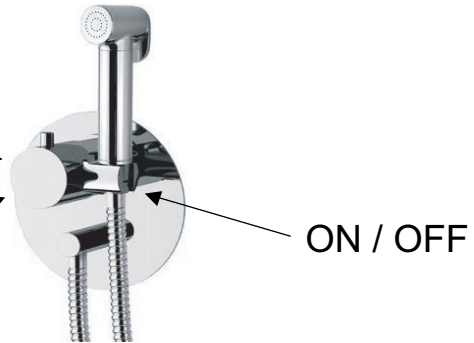


2 MANIGLIE
COASSIALI
2 COAXIAL
HANDLES
T° STOP 38°C

TERMOSTATICO
THERMOSTATIC



MATERIALI / MATERIALS

OTTONE CROMATO / CHROME PLATED BRASS

CROMATURA / CHROME PLATING

UNI EN 248