

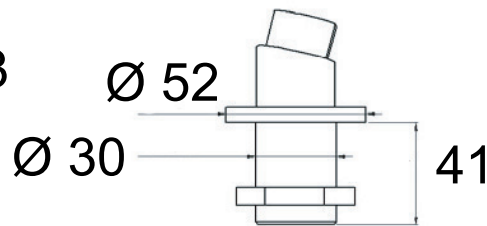
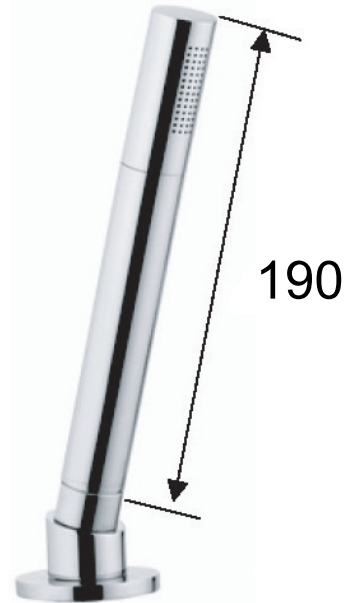
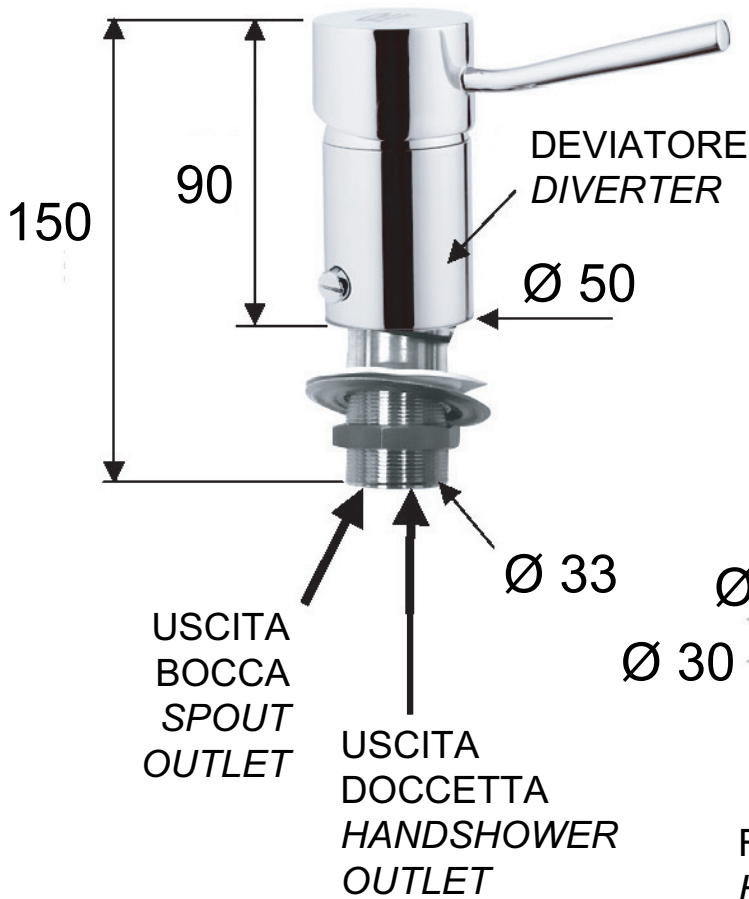


**SCHEDA TECNICA**

**TECHNICAL FEATURES**

ART. COD.

**N 27**



FLESSIBILE DOCCETTA = 150 cm  
HANDSHOWER FLEXIBLE = 150 cm

PRESSIONE/ PRESSURE	<b>1</b>	<b>3</b>	<b>5</b>	<b>bar</b>
PORTATA / FLOW RATE	<b>8</b>	<b>12,5</b>	<b>16</b>	<b>l/min</b>

**MATERIALI / MATERIALS**

OTTONE CROMATO / CHROME PLATED BRASS

**CROMATURA / CHROME PLATING**

UNI EN 248

Via Leonardo da Vinci 83 - 20062 Cassano d'Adda (MI) Italy - Tel. +39-0363 364211

[info@remer.eu](mailto:info@remer.eu) [www.remer.eu](http://www.remer.eu)