

TECHNICAL CHARACTERISTICS OF THE CERAMIC DISCS:

Material:	AL₂O₃
Surface roughness Ra:	0.2 μm
Contact surface area:	50-80%

TECHNICAL CHARACTERISTICS OF THE CARTRIDGE:

Opening angle:	25°
Max mixing angle:	90°
Max temperature:	90°C/194°F
Recommended tightening torque:	

12-13 Nm / 106-115 lbf*in

Pressure test:

Pneumatic:	6 bar / 87 psi
Hydraulic:	35 bar / 500 psi

Flow rate:

(3 bar / 45 psi, test faucet, EN 817)

20.1 l/min / 5.3 gpm with resistance „C”

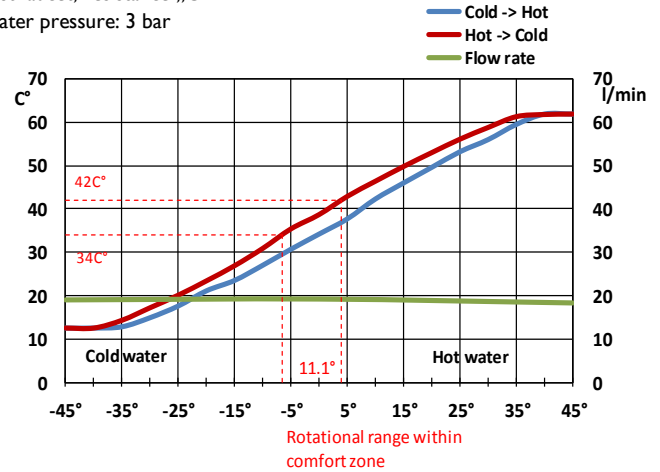
26.0 l/min / 6.8 gpm without resistance

Endurance test:

EN 817	70 000 cycles
ASME A 112.18.1M	500 000 cycles

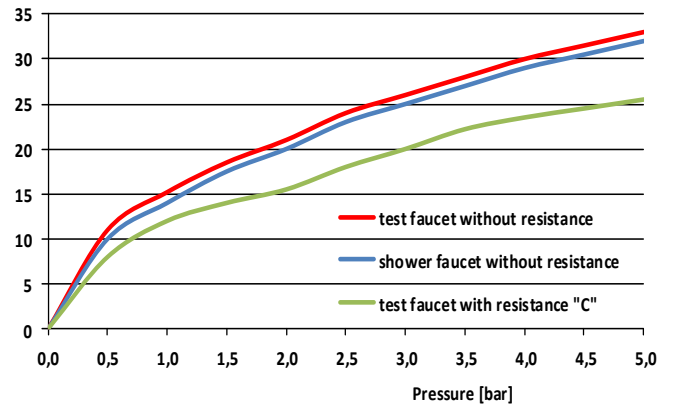
FLOW RATE & HYSTERESIS CURVES

Test faucet, resistance „C”
Water pressure: 3 bar



FLOW RATE CURVES

Flow rate [l/min]

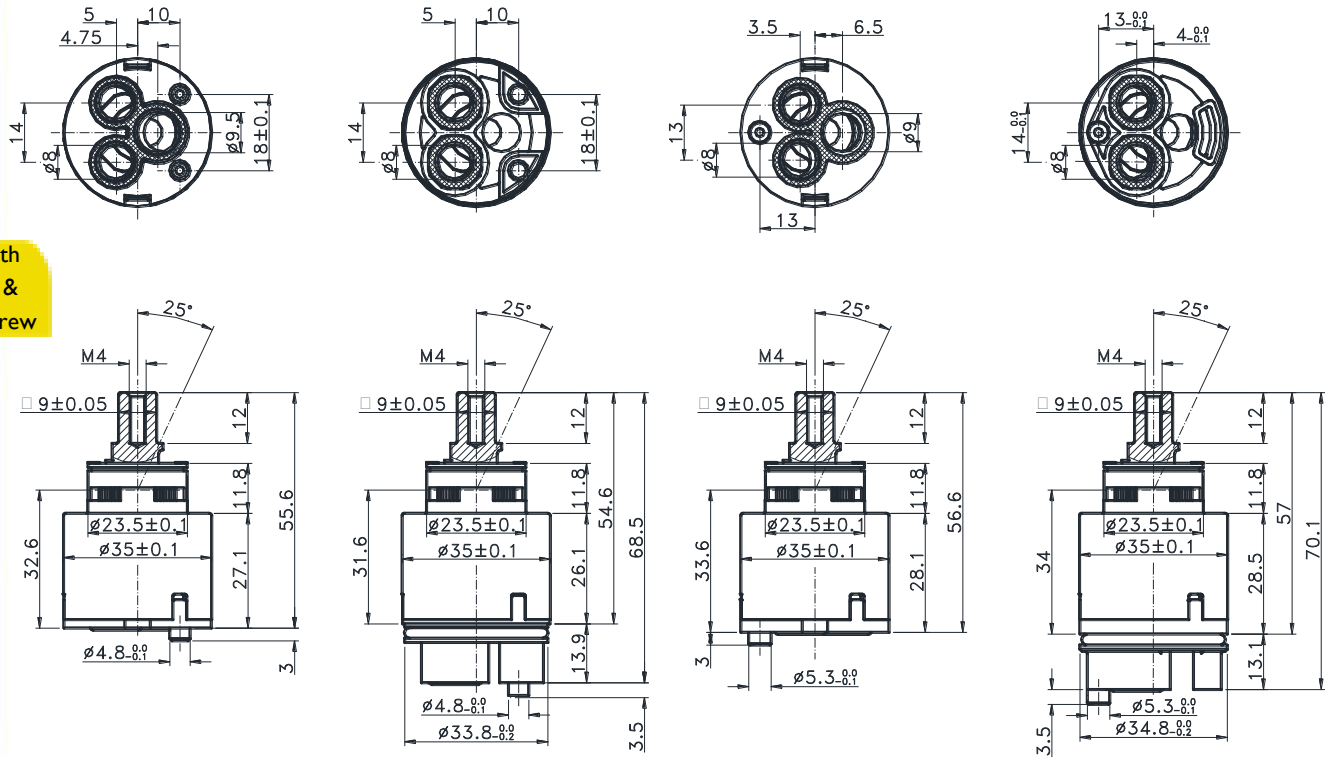


K-35

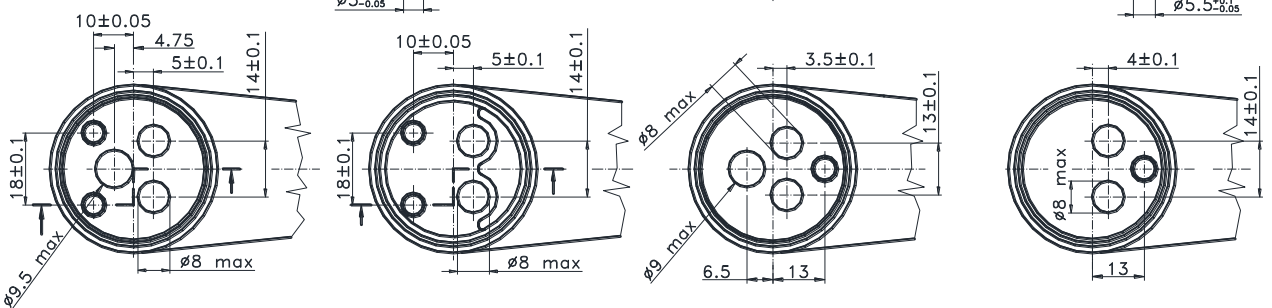
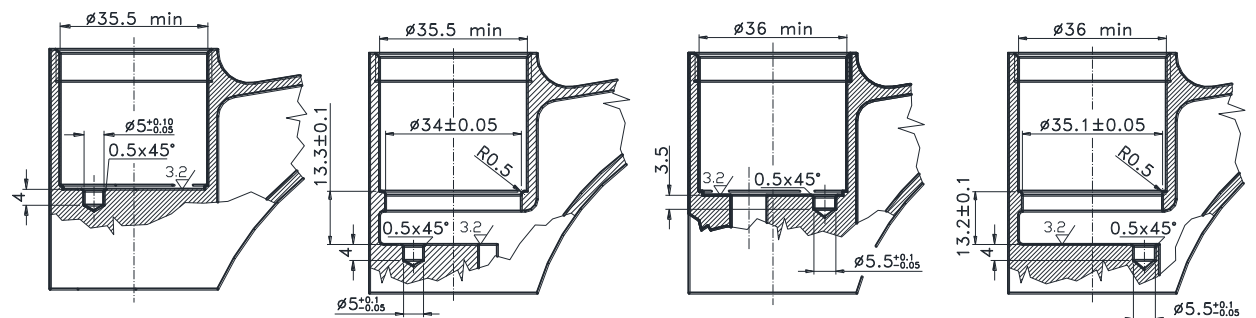
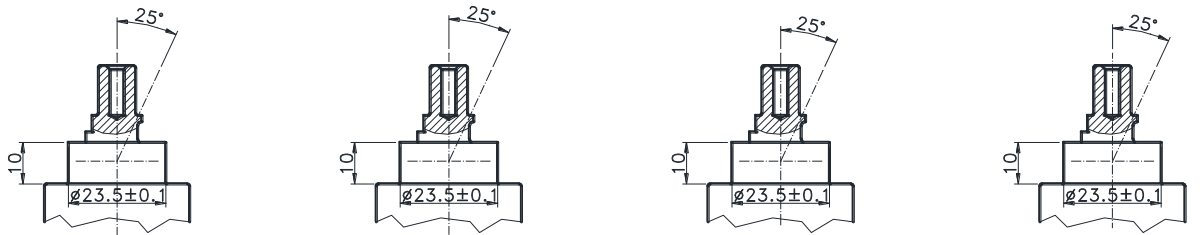
CARTRIDGES

A • B • C • D

Cartridges with hot limit ring & volume limit screw



Cartridges without hot limit ring & volume limit screw



K - 35 A

K - 35 B

K - 35 C

K - 35 D

Faucet