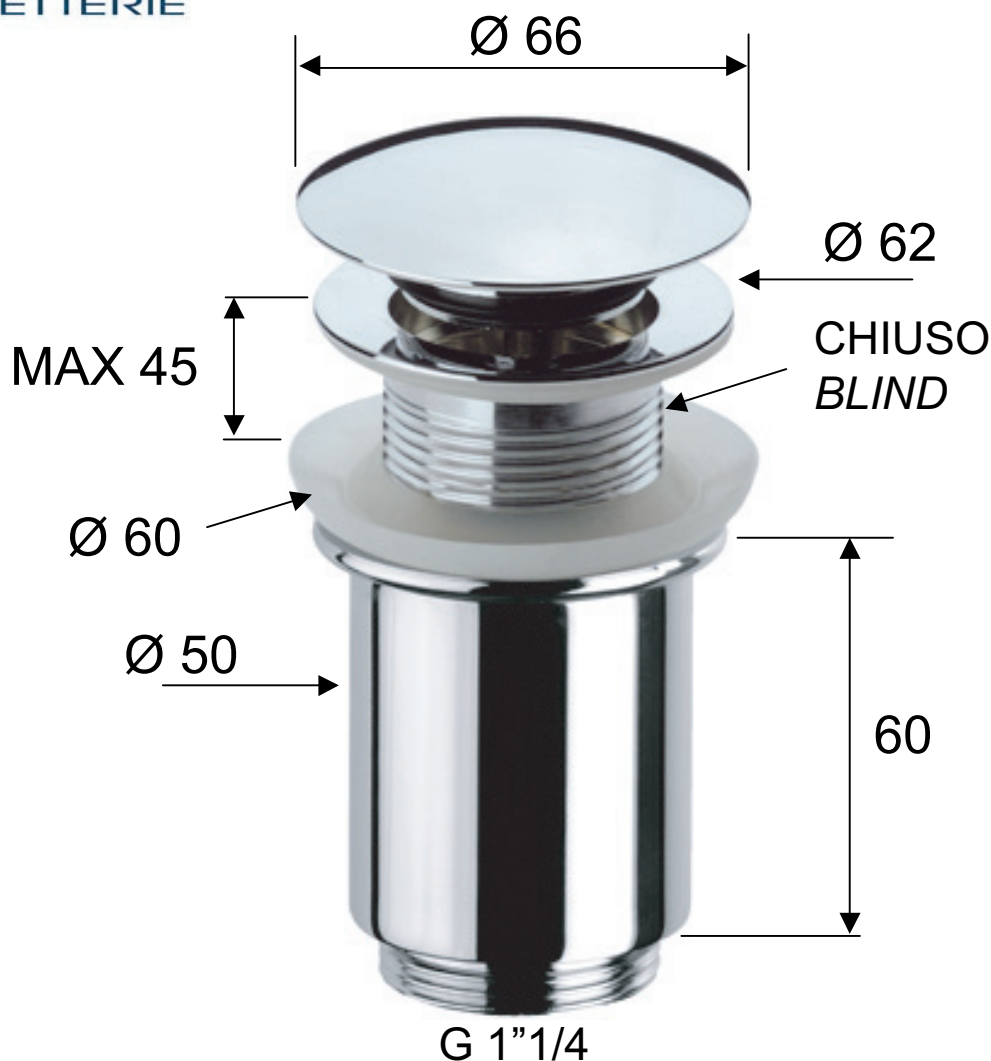


ART. COD.

904 CC



SCARICO AUTOMATICO CON SISTEMA CLICK-CLACK
AUTOMATIC POP-WASTE CLICK-CLACK SYSTEM

MATERIALI / MATERIALS

OTTONE CROMATO / CHROME PLATED BRASS

CROMATURA / CHROME PLATING

UNI EN 248