

Connections:



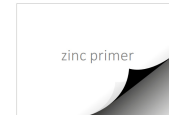
Electric radiators: see page 401.



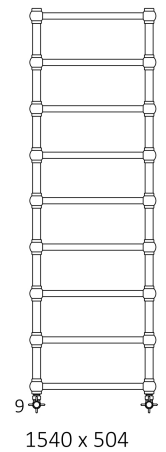
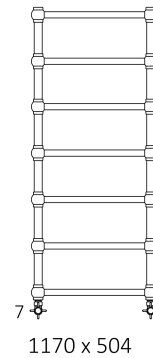
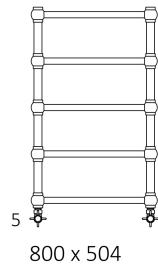
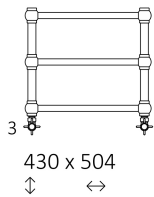
We recommend:

Pipe-masking set

Zinc primer



Available sizes:

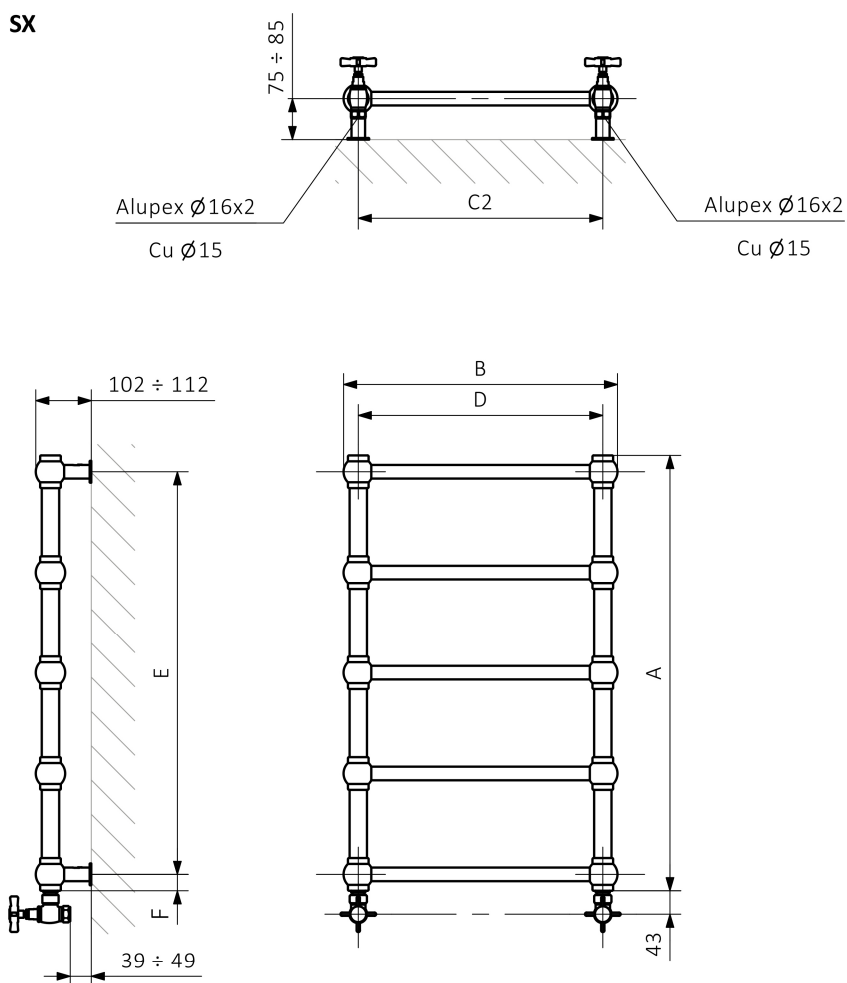


Specifications:

Working pressure: 1,0 MPa Maximum operating temperature: 95°C

A ↑ ↓	B ← →	C2 [mm]	75/65/20°C [W]	55/45/20°C [W]	⊙ [W]	D [mm]	E [mm]	F [mm]	⊂ [dm³]	⚖️ [kg]	Product Code	Configuration code p. 541
Powder coating												
430	504	450	120	61	120	450	370	30	1,05	4,50	WGRE1043050	
800	504	450	210	107	200	450	740	30	1,88	7,30	WGRE1080050	
1170	504	450	300	153	300	450	1110	30	2,71	10,20	WGRE1117050	
1540	504	450	390	199	400	450	1480	30	3,54	13,00	WGRE1154050	
Plated finishes												
430	504	450	84	43	120	450	370	30	1,05	4,50	WGRE1043050	
800	504	450	147	75	120	450	740	30	1,88	7,30	WGRE1080050	
1170	504	450	210	107	200	450	1110	30	2,71	10,20	WGRE1117050	
1540	504	450	273	139	300	450	1480	30	3,54	13,00	WGRE1154050	

Included components: Radiator (water version) sold with a set of chrome Star angled valves and adapters for installation (Alupex $\varnothing 16 \times 2$ and copper $\varnothing 15$). All valve components are finished in chrome.



A — Height B — Width C1-C5 — Distance between pipe centres D — Horizontal distance between mounting bracket centres
E — Vertical distance between mounting brackets F — Distance between a mounting bracket and the bottom of the radiator

Collector:

Profile:

