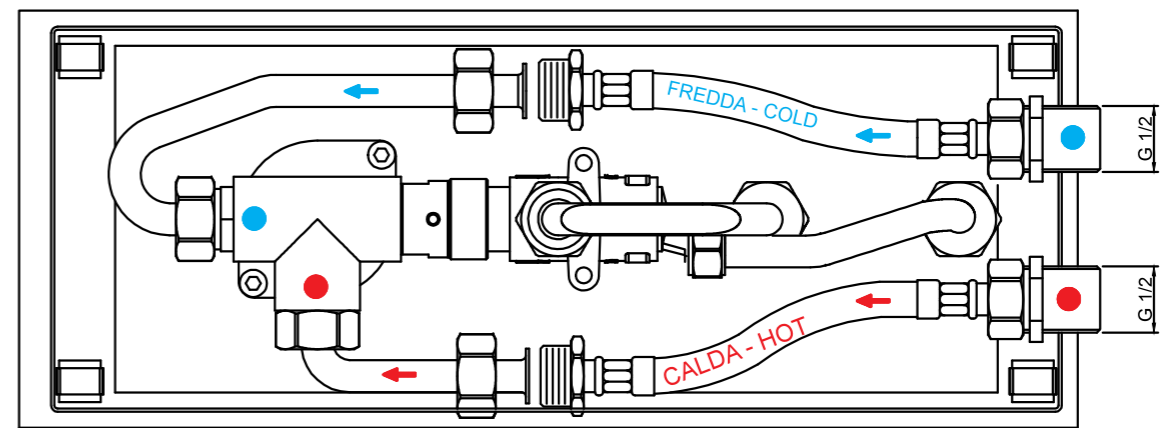
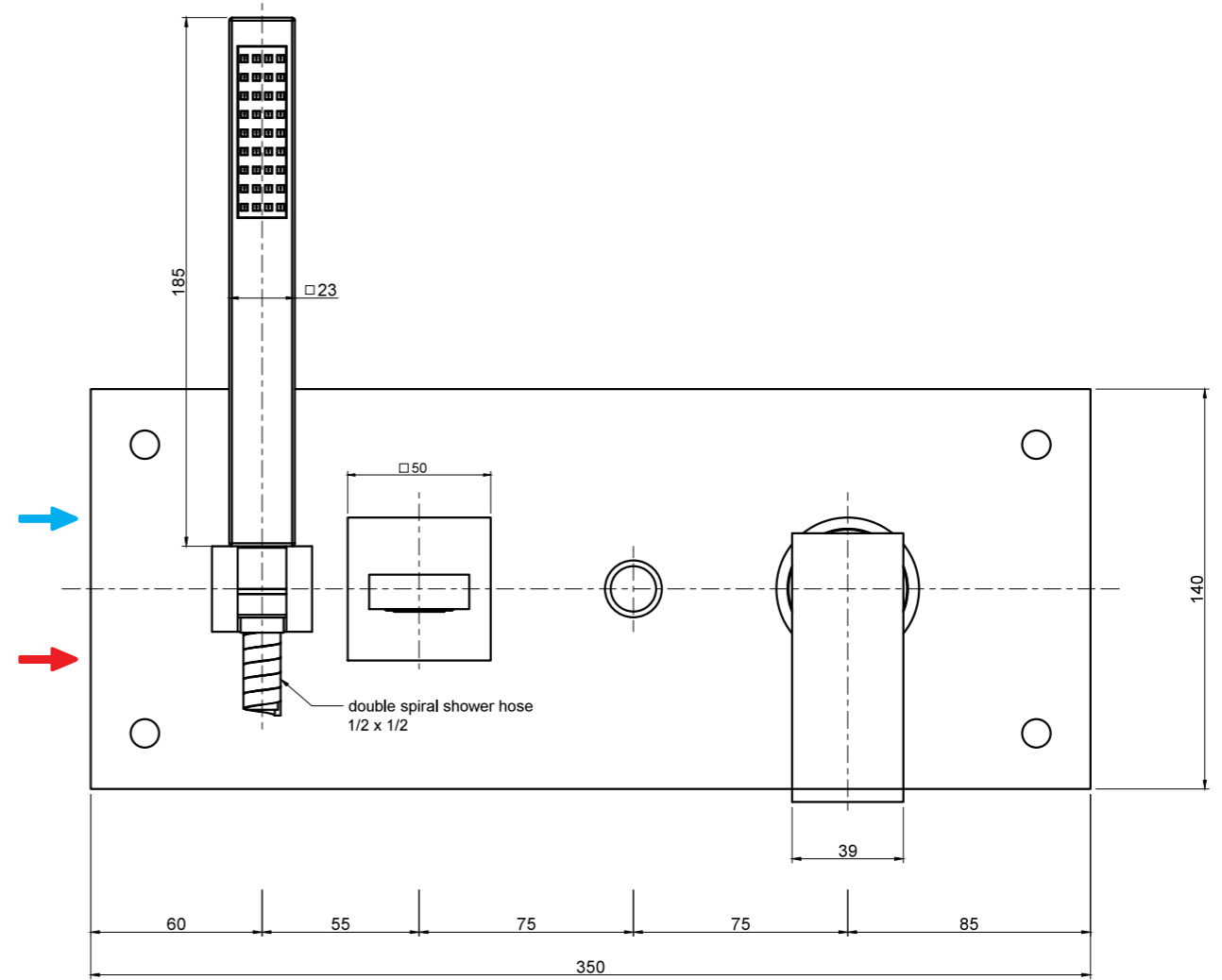
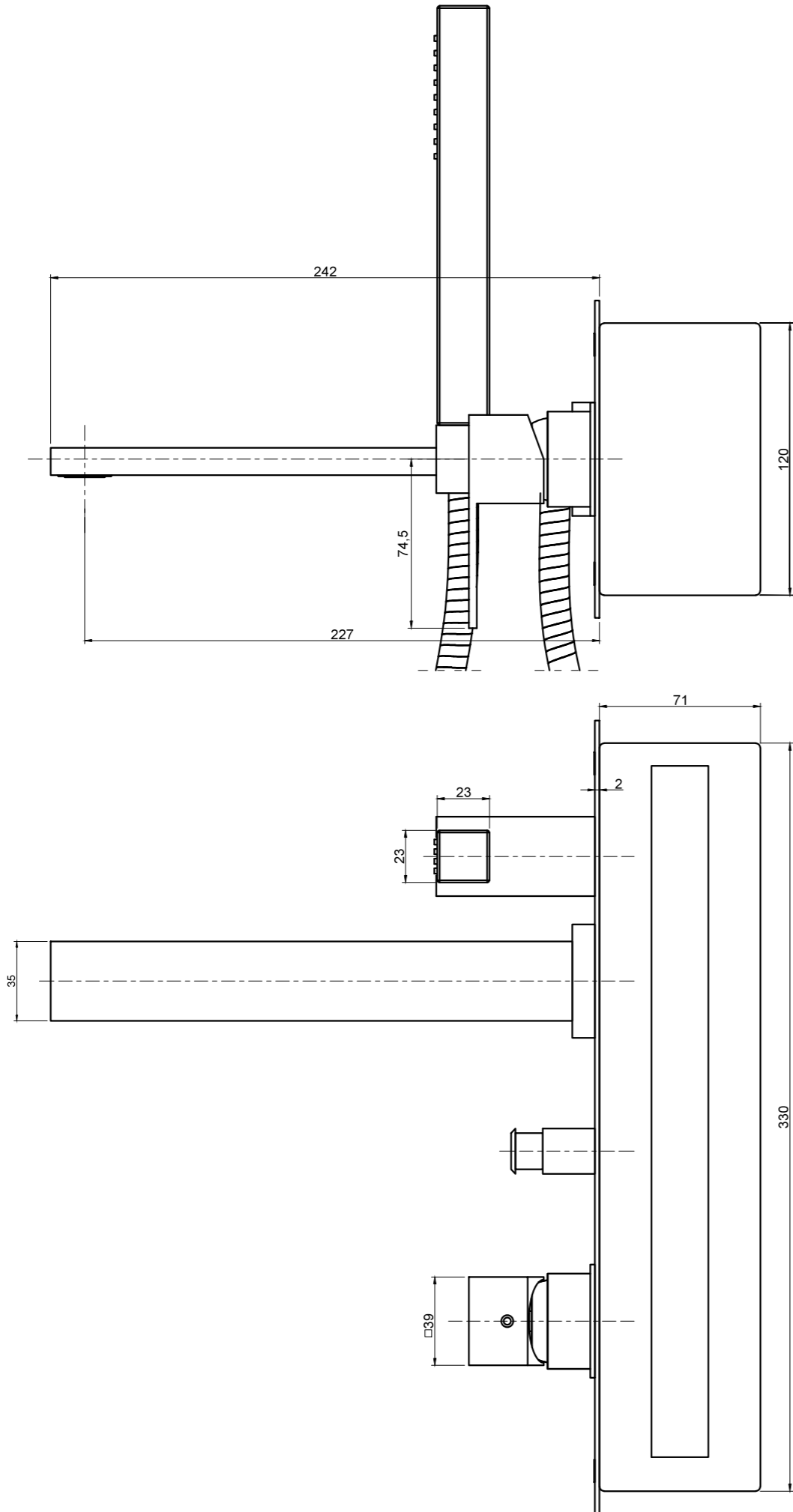


Questo disegno e' di proprieta' di OIOLI Rubinerie che, a norma di legge, si riserva tutti i diritti.
 This drawing / specification is the property of OIOLI Rubinerie and must not be copied in part or whole without prior written permission of OIOLI Rubinerie.



BACK VIEW: SUGGESTED CONNECTIONS SCHEME FOR INSTALLATION

	DATE	13-06-2015	REV.	SIGNATURE	UNITS	SCALE	NOTE	
	DRAWING BY: OIOLI TECHNICAL DEPT. arch. Marco Poli		01		mm	2:5	MADE IN ITALY	
DESCRIPTION								ITEM
BATHTUB WALL MIXER WITH SPOUT AND SHOWER UNIKA								41509

e-mail: mattia@oioli.com
 Via Pul Stretta, 10/12 Tel. 0322 956338
 28024 Gozzano (NO) Fax 0322 912094
 ITALY